

cocoon
concept.





Technical Section



Waterproof cover



Easy rib change



Raised wind valve



Split Solution (Anti-wind System)



Raingutter



Velcro



Double Pulley



Low Winch



High Winch (Anti-vandalic)



Telescopic



360° Rotation



180° Rotation



Base included



Ground anchor

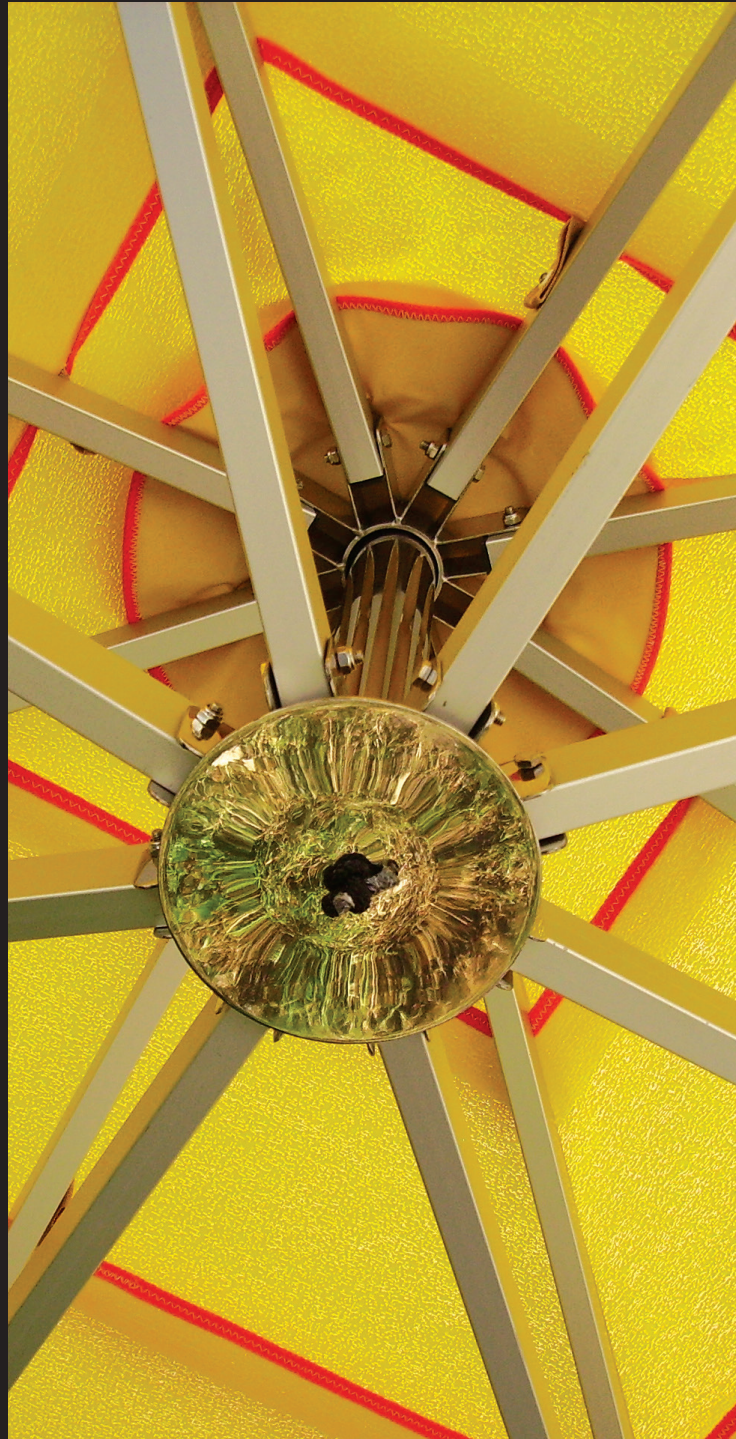


Wall bracket



Strong wind resistance













FANETTE • BEALE • KYLE • COYNE

Central Pole Patio Umbrellas



central

ret



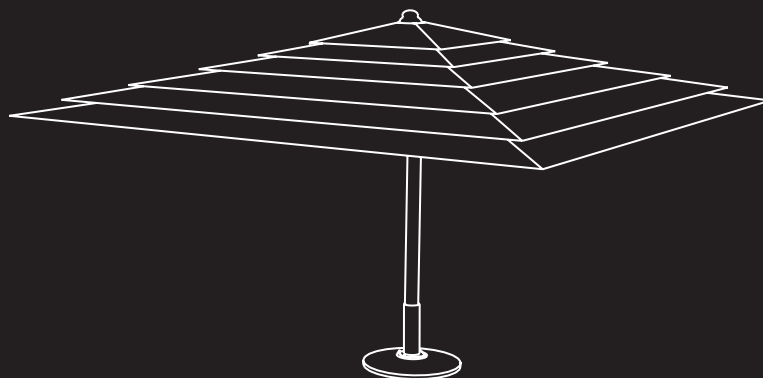
Fanette

If you are looking for a traditional aesthetically refined model that is still practical and durable then the Fanette umbrella is your ideal solution. The lifted valve offers protection from sudden gusts of wind and creates its signature linear form. It is available in supported valve, lifted valve or Split Solution versions.

Standard



Optional



200x300 cm
250x350 cm
300x400 cm



300x300 cm
350x350 cm
400x400 cm
500x500 cm



Ø300
Ø350
Ø400





Beale

The Beale is a classic central beam umbrella with updated features like its 12 reinforced aluminum splints and telescopic pole that allows it to open up to dimensions of 50 m2 under a single umbrella canopy. The telescopic system allows umbrella opening/closing without removing the chairs and tables underneath. Every rib is crafted from reinforced aluminum.

Standard



Optional



450x550 cm
500x600 cm
550x650 cm
600x700 cm



500x500 cm
550x550 cm
600x600 cm
650x650 cm
700x700 cm



Ø550 Ø600
Ø650 Ø700
Ø750 Ø800





Kyle

The **Kyle** is a tent-umbrella, a new concept that embodies the best qualities of a mountable tent but with the open/close easy of action of an umbrella. This even exempts it from the permits associated with permanent, gazebo and tent-like structures that need to be assembled and dismantled with each use. The sturdy construction, made entirely of zinc coated welded iron, allows the sheets to be closed using either Velcro or pulleys. This feature makes it the perfect solution for all seasons. These attributes, along with its patented electric opening mechanism and futuristic look, have earned the Kite recognition as the “future of outdoor umbrellas”.

Standard



Optional



| | |
|------------|------------|
| 300x300 cm | 350x350 cm |
| 400x400 cm | 450x450 cm |
| 500x500 cm | 600x600 cm |





Coyne

Our Coyne model is an Edengarden exclusive developed specifically for cafés and restaurants that line the narrow city streets in historic city centers such as Florence. The Coyne takes full advantage of your outdoor space. It has the smallest lateral footprint but allows a vast area of space to be covered, the perfect solution for those who need to shelter long narrow spaces.

Standard

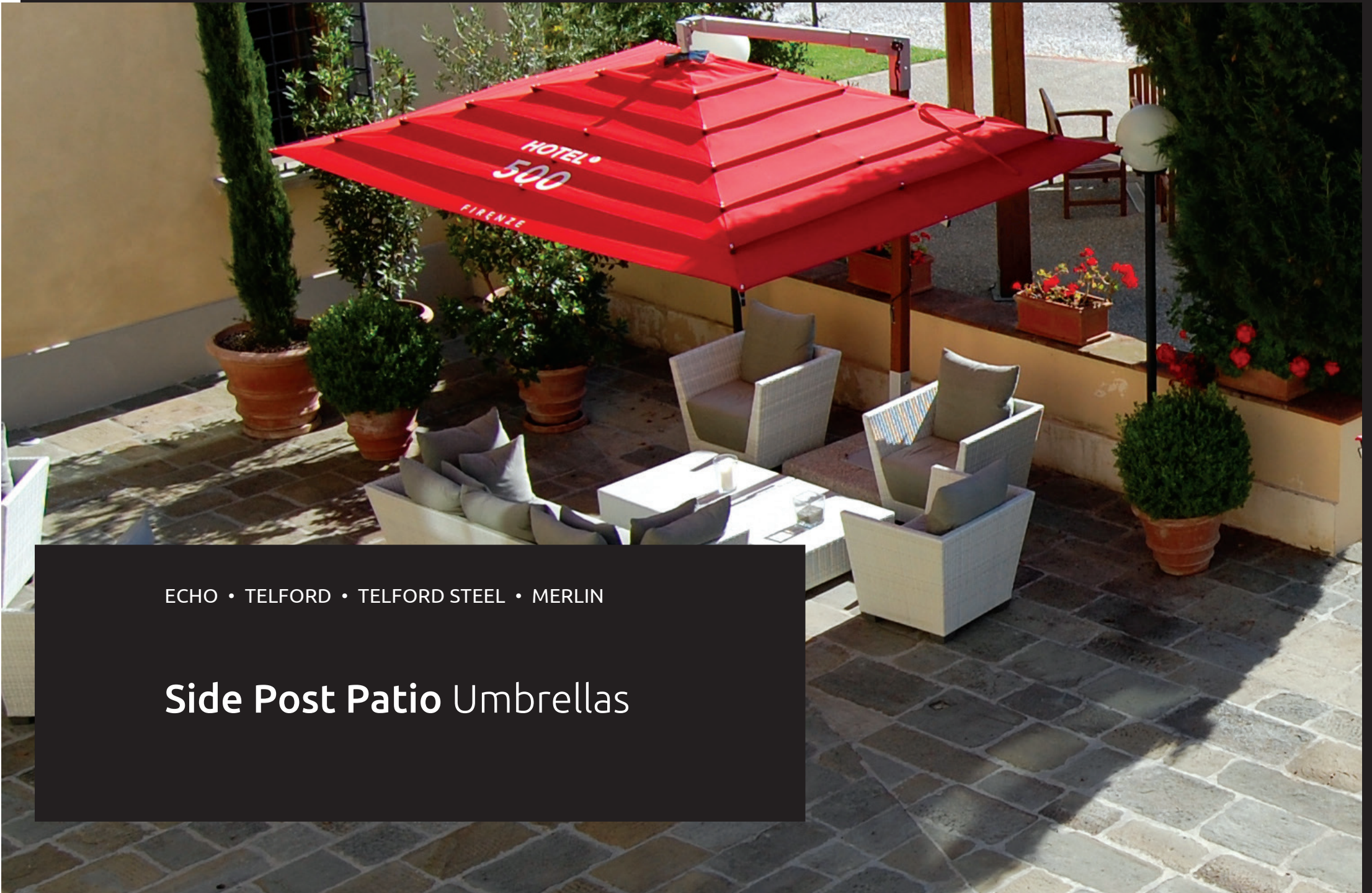


Optional



| | | | |
|------------|------------|------------|------------|
| 100x250 cm | 125x250 cm | 150x300 cm | 125x350 cm |
| 175x250 cm | 150x400 cm | 200x300 cm | 225x350 cm |
| 175x450 cm | 175x350 cm | 150x325 cm | 200x400 cm |
| 250x400 cm | 200x500 cm | 250x500 cm | |





ECHO • TELFORD • TELFORD STEEL • MERLIN

Side Post Patio Umbrellas



side



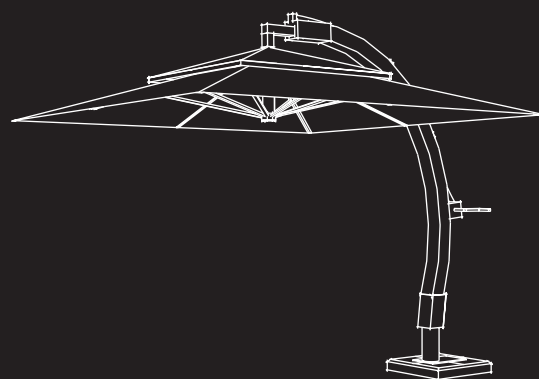
Echo

The Echo is characterized by its departure from traditional portable joists. This model is an attractive refined solution that can cover large elegant spaces. Our expert craftsmen make the arch entirely from iroko wood and its lamellar construction ensures maximum reliability and durability. Every single component is designed to enhance its weather resistance, but without compromising its aesthetic features.

Standard



Optional



200x300 cm
250x350 cm
300x400 cm



300x300 cm
350x350 cm



Ø300
Ø350
Ø400





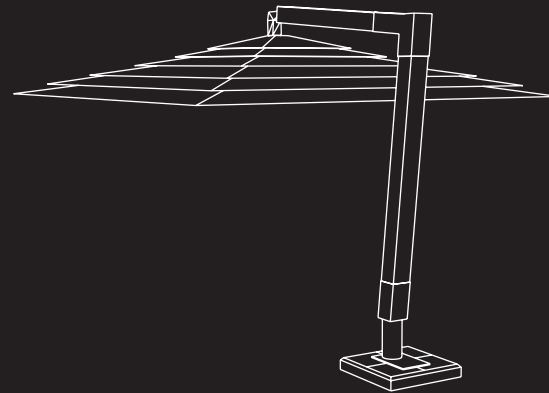
Telford

The **Telford** is a medium size umbrella with a lateral post. Thanks to its extreme versatility and ease of handling, it is suitable for both private and professional use. The vertical load bearing beam permits optimal usage of the area beneath, just as the possibility to rotate the base by 360° makes it possible to 'chase' the shade during the course of the day.

Standard



Optional



200x300 cm
250x350 cm
300x400 cm
350x450 cm



250x250 cm
300x300 cm
325x325 cm
350x350 cm
400x400 cm



Ø300
Ø350
Ø400
Ø450





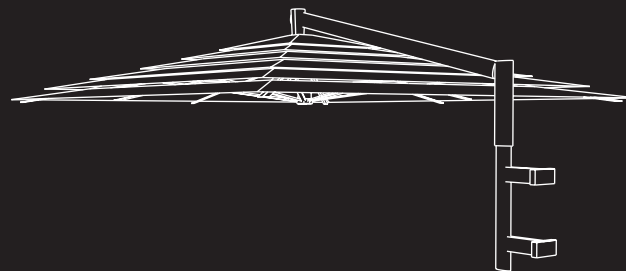
Telford Steel

Telford Steel is an umbrella with a simple elegant design. The clean lines and 360° revolving design make it versatile and suitable for all environments. It is mostly requested for terraces and platforms, where the traditional concrete base would limit the useful ground space. The mirror polished stainless steel version is suitable for installation on luxury yachts and modern buildings.

Standard



Optional



200x300 cm
250x350 cm
300x400 cm
350x450 cm



250x250 cm
300x300 cm
325x325 cm
350x350 cm
400x400 cm



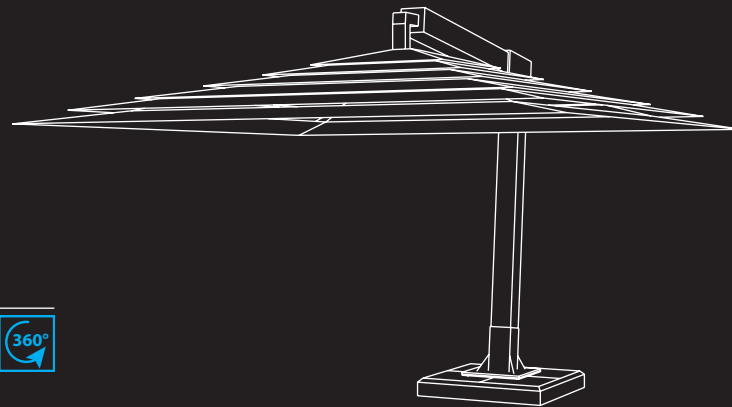
Ø300
Ø350
Ø400
Ø450





Merlin

The Merlin has a robust vertical 5.5x5.5 inch beam that can support large canopies and thus free space that would otherwise be occupied by a cement base. EdenGarden recommends Split Solution canopies for usage in windy areas. From this year, the Merlin can also be crafted with a 360° rotating base.



Standard



Optional



500x400 cm
550x450 cm



400x400 cm
500x500 cm



Ø500
Ø600





GAUTHIER LATERALE • GAUTHIER CENTRALE • GAUTHIER STEEL • COSME

Multiple Canopy Patio Umbrellas





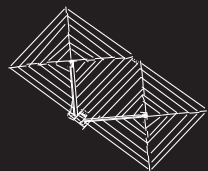
Gauthier Laterale

With its two inward leaning canopies that join on a central or lateral support the Gauthier creates a large rectangular shadow that can cover a space of up to 16.5 x 33 ft. The Gauthier can also connect with other modular systems, such as the Merlin and the Cosme to cover even irregular spaces. The lateral support version is ideal for covering large tables or buffets.

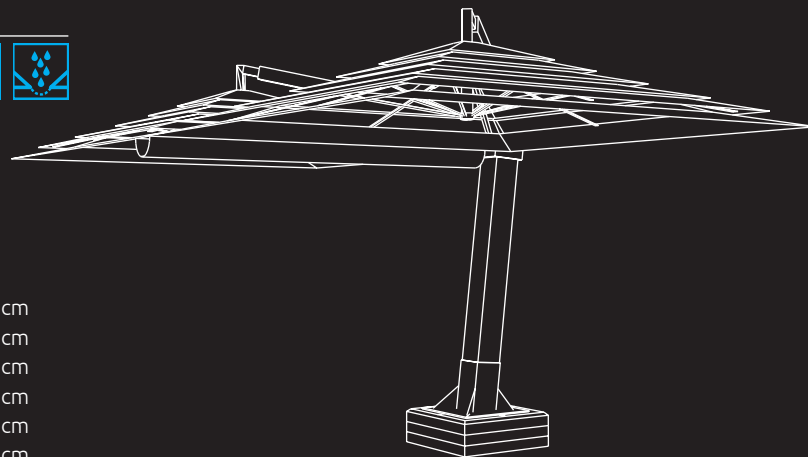
Standard



Optional



250x500 cm
300x600 cm
325x650 cm
350x700 cm
400x800 cm
450x900 cm
500x1000 cm





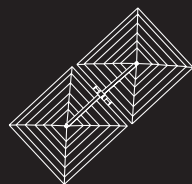
Gauthier Centrals

The central post solution leaves the surrounding zone free to access and a concrete base can be used as an elegant table or a sitting bench.

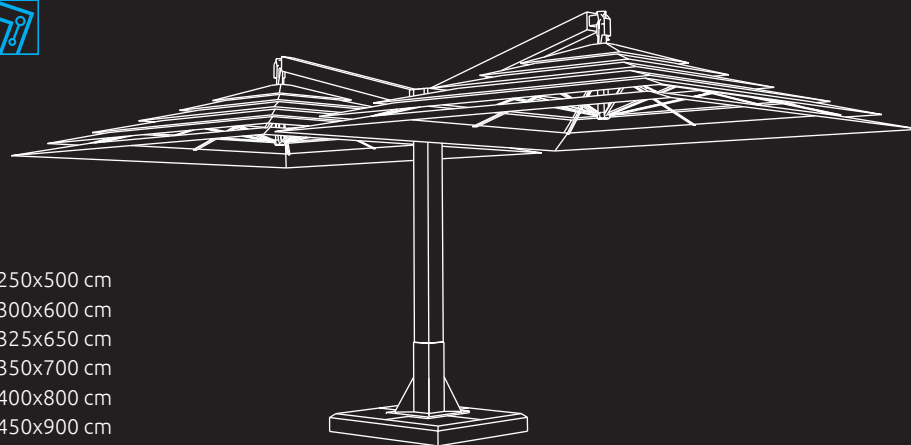
Standard



Optional



- 250x500 cm
- 300x600 cm
- 325x650 cm
- 350x700 cm
- 400x800 cm
- 450x900 cm
- 500x1000 cm





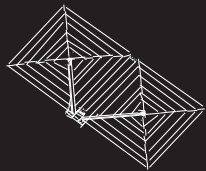
Gauthier Steel

Gauthier Steel is part of the steel line and represents an evolution of the Gauthier Patio Umbrella. The two umbrellas can be oriented and moved when closed to 'follow' the shade during the day. The entire structure is made of thick galvanized steel and painted in the selected color. The Gauthier Steel has an innovative but simple design. The finely polished AISI 316 stainless steel version of this double patio umbrella is suitable for most exclusive modern environments and luxury yachts.

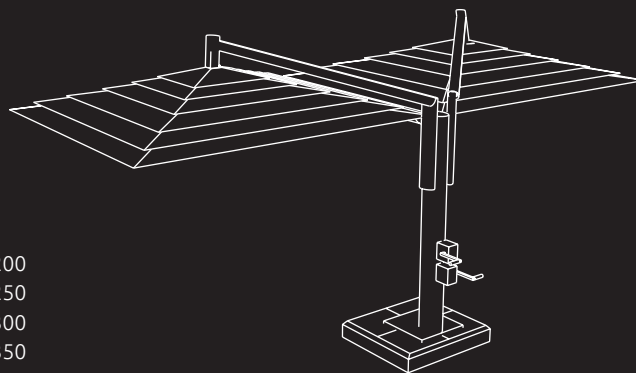
Standard



Optional



| | |
|------------|---------|
| 250x500 cm | 2x Ø200 |
| 300x600 cm | 2x Ø250 |
| 325x650 cm | 2x Ø300 |
| 350x700 cm | 2x Ø350 |





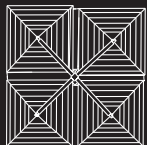
Cosme

The Cosme has four square canopies that each expand to 16.5ft and all together can cover an area of up to 1,089 square feet. The structure commands attention with the finest most sought after trims on the market today. The Cosme is ideal for covering large square spaces and designed to prevent rainwater from seeping between the canopies by use of a special drip-guard linkage system.

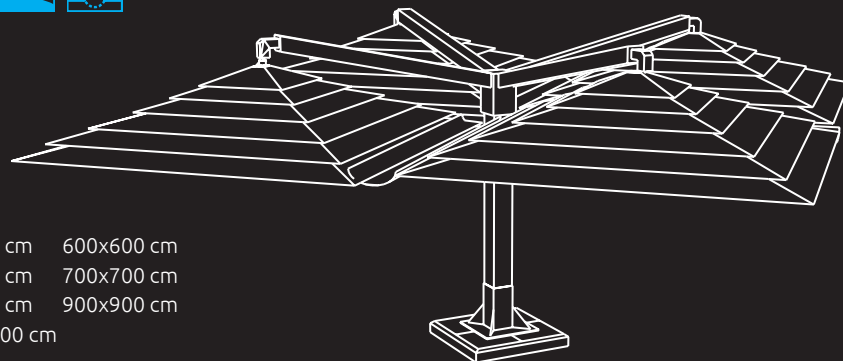
Standard



Optional



500x500 cm 600x600 cm
650x650 cm 700x700 cm
800x800 cm 900x900 cm
1000x1000 cm

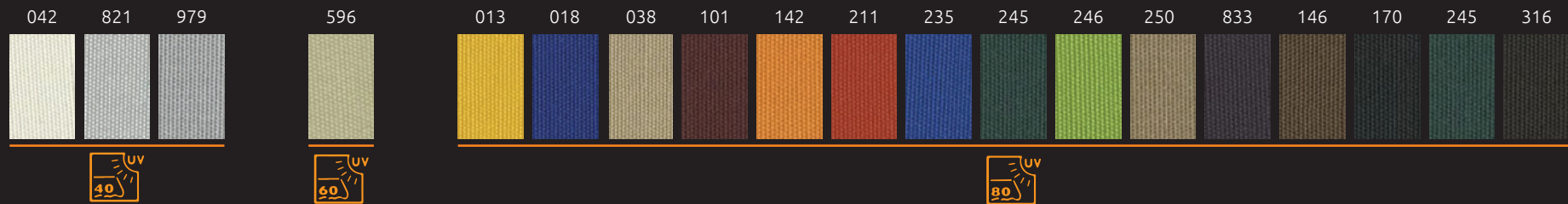


Fabrics Choice

The fabric is the most important part of any umbrella. This is why at EdenGarden we offer only the best outdoor fabrics available on the market today.

ACRYLIC 100%, 300gr/sqm, made in Spain

Acrylic fabric (100%) is non-decomposable and anti bacterial with a 10 year warranty. The Teflon-treated fabric is water and dirt resistant.



PVC Precontraint, 590gr/sqm, made in France

100% waterproof, pre-tensioned high dimensional stability, UV resistant, fireproof (2nd class), easy to maintain, durable and tear resistant.

MICRO AIRED SOLTIS, 400gr/sqm

Outward visibility, micro-ventilated, light, durable and 100% recyclable.



Exclusive **Précontraint Serge Ferrari®** technology

Patented worldwide, Précontraint Serge Ferrari® technology involves keeping the composite under tension throughout the manufacturing cycle.

Surface treatment

High tenacity polyester base cloth

PRÉCONTRAINTE GARANTIE
Serge Ferrari

Finishing

Ribbon

The final customization touch is the ribbon color, which is available in all listed fabric colors.

Metal parts vi:

All metal parts are zinc plated and furnace painted in the following RAL colors (choice):



Ribs (20x40x2mm)

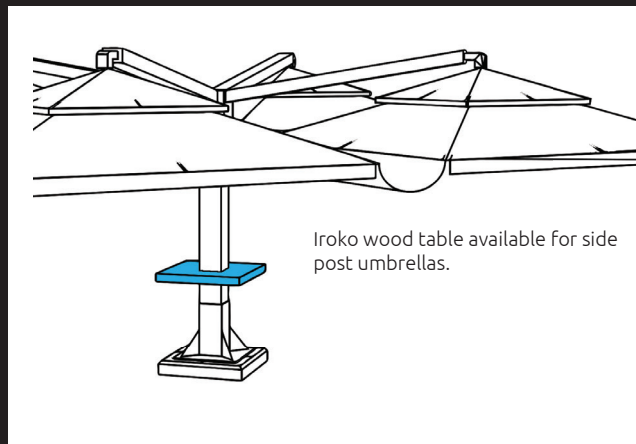
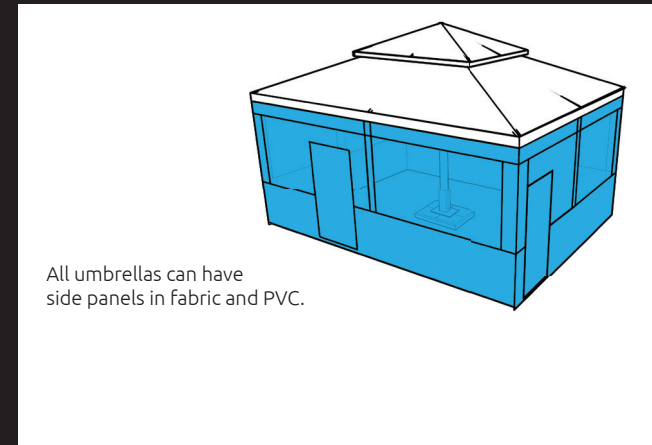
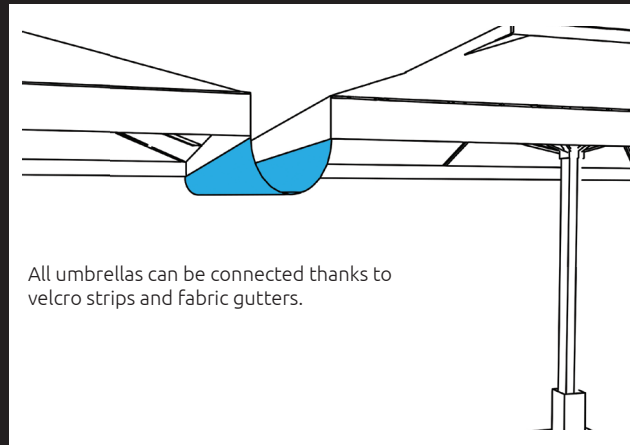
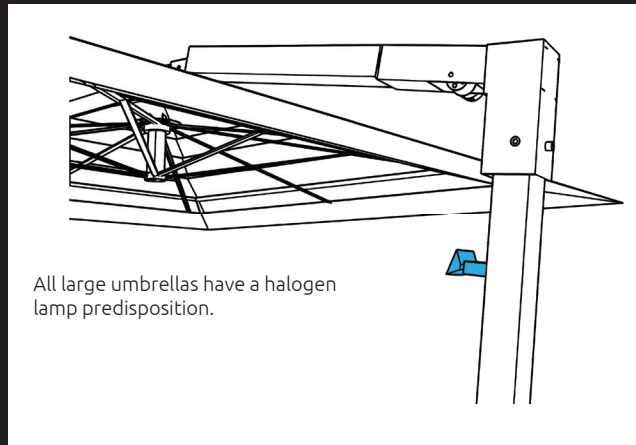
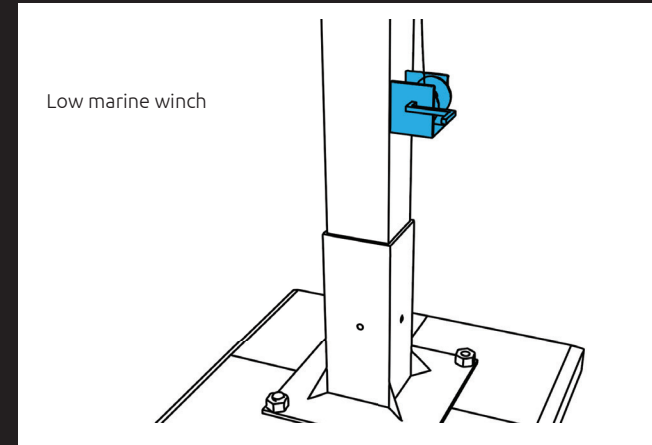
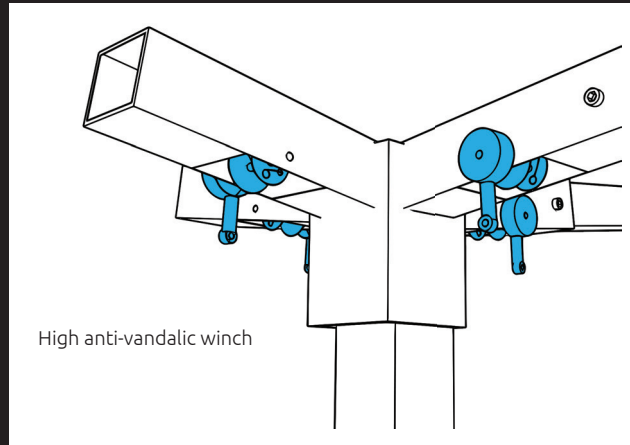
For all umbrellas up to 4x4 m with a Raised Valve the ribs can be wooden or aluminum. All larger umbrellas and Split Solution umbrellas have ribs that are made only of aluminum. The available colors are:



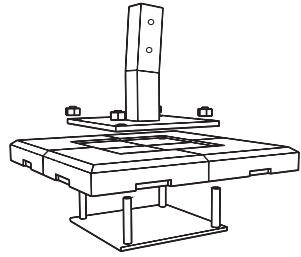
All other colors are available with an extra charge.

| Umbrella Type | Dimension | Pole Material choice | | | |
|-------------------------|-------------------|----------------------|------|-----------------|----------|
| | | Iroko | Iron | Stainless Steel | Aluminum |
| Fanette, Ciak | Ø 50–60mm | | ✓ | | ✓ |
| Beale, Kite | Ø 13cm | | ✓ | ✓ | |
| Telford | 9x9cm | ✓ | ✓ | ✓ | |
| Echo | 9x9cm | ✓ | | | |
| Telford Steel | Ø 60 – 70mm | | ✓ | ✓ | |
| Gauthier Steel | Ø 13cm or 14x14cm | | ✓ | ✓ | |
| Merlin, Gauthier, Cosme | 14x14cm | ✓ | ✓ | | |

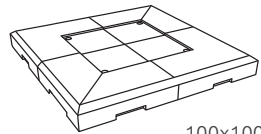
Extras



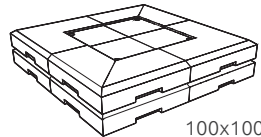
Weights



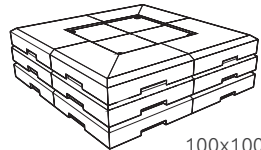
Large concrete base
(250-500-750 kg)



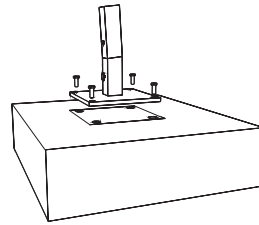
100x100x12 cm



100x100x24 cm

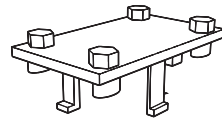


100x100x36 cm



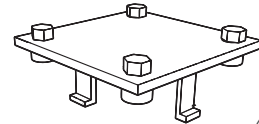
Inground bracket

Small



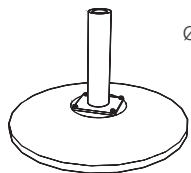
15x30 cm

Large



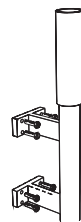
46x46 cm

Round concrete base



Ø60 cm

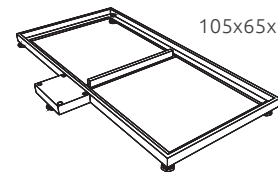
Wall Bracket
(Talento Steel & Gemelli Steel)



Size on request

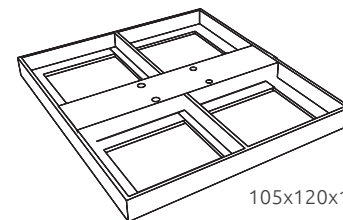
Metal frame for air shipping
(weights not included)

Small



105x65x10 cm

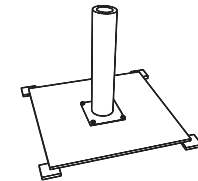
Large



105x120x10 cm

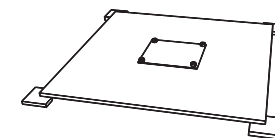
Metal plate (60kg)
(Fiesole & Ciak)

Small



50x70 cm

Large



Size on request

Package

| | | | | | |
|-----------------------------|-------------------------|---------------------------|------------------|---------------|-------------------------------|
| FANETTE | 1 package + base | | | | Component |
| Umbrella size (in meters) | 2x3; 3x3; 3Ø ; 3,5 Ø | 2,5x3,5; 3,5x3,5; 3x4; 4Ø | 4x4 | 5x5 | |
| Package (in cm) | 45 Ø x 240 | 45 Ø x 260 | 45 Ø x 280 | 45 Ø x 355cm | canopy |
| Weight with package (in kg) | 40 | 45 | 55 | 70 | |
| BEALE | 2 packages + base | | | | |
| Umbrella size (in meters) | 4,5x5,5; 5x5; 5Ø ; 5,5Ø | 5x6; 6x6m, 6Ø, 7Ø | 6x7; 7x7; | 8x6 | |
| Package (in cm) | 45 Øx410 | 45 Øx450 | 45 Øx500 | 45 Øx520 | canopy |
| Package (in cm) | 50x50x60cm | 50x50x60 | 50x50x60 | 50x50x60 | lower junction |
| Weight with package (in kg) | 110 | 130 | 150 | 160 | |
| KYLE | 3 packages + base | | | | |
| Umbrella size (in meters) | 3x3; 3,5x3,5 | 4x4; 4,5x4,5 | 5x5 | 5,5x5,5; 6x6 | |
| Package (in cm) | 50x50x300cm | 50x50x330 | 50x50x360 | 50x50x400 | structure |
| Package (in cm) | 50x50x60 | 50x50x60 | 50x50x60 | 50x50x60 | lower junction |
| Package (in cm) | 50x40x100 | 50x40x100 | 50x40x100 | 50x40x100 | fabric (separated) |
| Weight with package (in kg) | 160 | 180 | 200 | 220 | |
| COYNE | 1 package + base | | | | |
| Umbrella size (in meters) | SIZE x 250 | SIZE x 300 | SIZE x 400 | SIZE x 500 | |
| Package (in cm) | 45 Ø x 240 | 45 Ø x 260 | 45 Ø x 280 | 45 Ø x 355cm | canopy |
| Weight with package (in kg) | 40 | 45 | 55 | 70 | |
| ECHO | 3 packages + base | | | | |
| Umbrella size (in meters) | 2x3, 3 Ø | 3x3, 2,5x3,5, 3,5Ø | 3,5x3,5, 3x4, 4Ø | 4x4 | |
| Package (in cm) | 45 Øx200cm | 45 Øx220 | 45 Øx250 | 45 Øx300 | canopy |
| Package (in cm) | 15x400x150 | 15x400x150 | 15x400x150 | 15x400x150 | arch |
| Package (in cm) | 50x50x60 | 50x50x60 | 50x50x60 | 50x50x60 | lower junction |
| Weight with package (in kg) | 90 | 95 | 100 | 110 | |
| TELFORD | 3 packages + base | | | | |
| Umbrella size (in meters) | 2x3, 3 Ø | 3x3, 2,5x3,5, 3,5Ø | 3,5x3,5, 3x4, 4Ø | 4x4 , 3,5x4,5 | |
| Package (in cm) | 45 Øx200cm | 45 Øx220 | 45 Øx250 | 45 Øx300 | canopy |
| Package (in cm) | 15x25x250 | 15x25x250 | 15x25x250 | 15x25x250 | poles |
| Package (in cm) | 50x50x60 | 50x50x60 | 50x50x60 | 50x50x60 | lower junction and L junction |
| Weight with package (in kg) | 90 | 95 | 100 | 110 | |

| TELFORD STEEL | 3 packages + base or 2 packages (wall anchor option) | | | | Componente |
|---|--|--------------------|------------------|--------------|-------------------------------|
| Umbrella size (in meters) | 2x3, 3 Ø | 3x3, 2,5x3,5, 3,5Ø | 3,5x3,5, 3x4, 4Ø | 4x4, 3,5x4,5 | |
| Package (in cm) | 45 Ø x200cm | 45 Ø x220 | 45 Ø x250 | 45 Ø x300 | canopy |
| Package (in cm) | 15x30x180 | 15x30x180 | 15x30x180 | 15x30x180 | vertical pole (if needed) |
| Package (in cm) | 10x700x200 | 10x700x200 | 10x700x200 | 10x700x200 | Horizontal pole |
| Weight with package (in kg) | 75 | 80 | 85 | 110 | |
| | | | | | |
| MERLIN | 5 packages + base | | | | |
| Umbrella size (in meters) | 4x4; 5Ø | 4x5 | 5x5; 4,5x5,5; 6Ø | | |
| Package (in cm) | 45 Ø x270cm | 45 Ø x330 | 45 Ø x390 | | umbrella |
| Package (in cm) | 10x10x200 | 10x10x200 | 10x10x250 | | |
| Package (in cm) | 15x15x250 | 15x15x250 | 15x15x250 | | vertical pole |
| Package (in cm) | 50x50x80 | 50x50x80 | 50x50x80 | | lower junction and L junction |
| Weight with package (in kg) | 135 | 145 | 160 | | |
| | | | | | |
| GAUTHIER CENTRAL & SIDE POST | 6 packages + base | | | | |
| Umbrella size (in meters) | 2,5x5; 3x6 | 3,25x6,5; 3,5x7 | 4x8 | 4,5x9; 5x10 | |
| 2 x Package (in cm) | 45 Ø x250cm | 45 Ø x280 | 45 Ø x330 | 45 Ø x380 | umbrella |
| Package (in cm) | 15x25x250 | 15x25x250 | 15x25x300 | 15x25x360 | horizontal poles |
| Package (in cm) | 15x15x250 | 15x15x250 | 15x15x270 | 15x15x300 | vertical pole |
| Package (in cm) | 50x50x80 | 50x50x80 | 50x50x80 | 50x50x80 | lower junction |
| Package (in cm) | 50x50x80 | 50x50x80 | 50x50x80 | 50x50x80 | upper junction |
| Weight with package (in kg) | 190 | 210 | 220 | 250 | |
| | | | | | |
| GAUTHIER STEEL | 4 packages + base | | | | |
| Umbrella size (in meters) | 250x500; 2xØ200; 2x Ø250 | 3,25x6,5; 3,5x7 | 4x8 | | |
| 2 x Package (in cm) | 45 Ø x220cm | 45 Ø x250 | 45 Ø x330 | | umbrella |
| Package (in cm) | 10x70x220 | 10x70x250 | 10x70x300 | | horizontal poles (L shaped) |
| Package (in cm) | 15x15x200 | 15x15x200 | 15x15x220 | | vertical pole |
| Weight with package (in kg) | 175 | 195 | 220 | | |
| | | | | | |
| COSME | 9 packages + base | | | | |
| Umbrella size (in meters) | 5x5,6x6 | 7x7 | 8x8 | 9x9, 10x10 | |
| 4 x Package (in cm) | 45 Ø x250cm | 45 Ø x280 | 45 Ø x330 | 45 Ø x380 | canopy |
| 2 x Package (in cm) | 15x25x250 | 15x25x250 | 15x25x300 | 15x25x360 | horizontal poles |
| Package (in cm) | 15x15x250 | 15x15x250 | 15x15x270 | 15x15x300 | vertical poles |
| Package (in cm) | 50x50x80 | 50x50x80 | 50x50x80 | 50x50x80 | upper junction |
| Package (in cm) | 50x50x80 | 50x50x80 | 50x50x80 | 50x50x80 | lower junction |
| Weight with package (in kg) | 350 | 375 | 420 | 500 | |



Cocoon Concept Ltd

Unit F 12/F Gee Tung Chang Industrial Bldg | 4 Fung Yip St | Siu Si Wan | Hong Kong

T (852) 2896 0600 | F (852) 2896 0200

info@cocoon-concept.com

WWW.COCOON-CONCEPT.COM