








cocoon  
concept.   
SHADE SOLUTIONS

# SHADE SOLUTIONS

EDITION 21   
ENGLISH

# TABLE OF CONTENT

	<b>Table of Content</b>		2
	<b>Center Pole Umbrella</b>		3-6
	P8 - Innovation Award		
	<b>Side Pole Umbrella</b>		7-24
	P6 - P7		
	<b>Center Pole Umbrella</b>		25-26
	P50		
	<b>Telescopic Arm Umbrella</b>		27-30
	P3 - P4		
	<b>Windscreen</b>		31-33
	Windblocker		34-35
	<b>Gallery</b>		36-37
	Hospitality & Projects		38
	Private		
	Specials		39

NEW

# CENTER POLE UMBRELLA

P8



Easy to use due to light operation

Durable materials

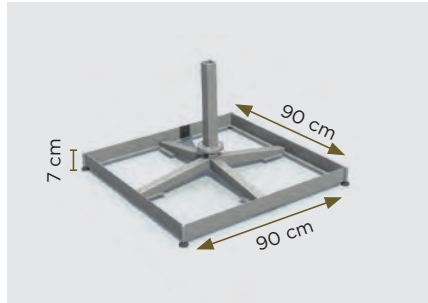
Contemporary, sophisticated design

Completely integrated LED light

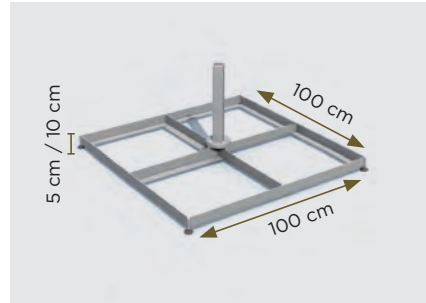
Patented



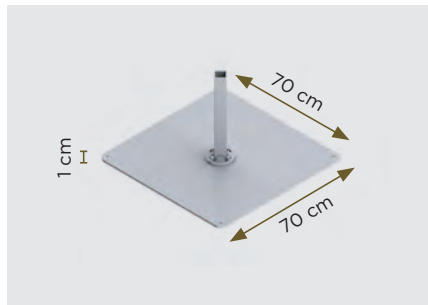
## Fixation



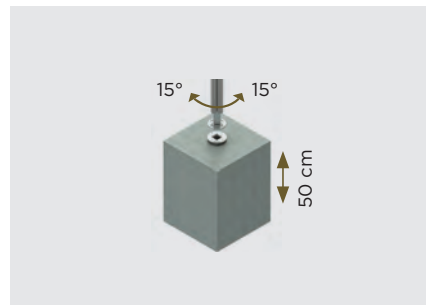
**Steel base**  
With 8 tiles: 130 kg  
With 12 tiles: 185 kg  
Does not include tiles



**Steel base**  
With 4 tiles: 115 kg  
With 8 tiles: 215 kg  
Does not include tiles



**Floor plate** must be chemical anchored.  
Weight: 38 kg  
Fixing materials not included

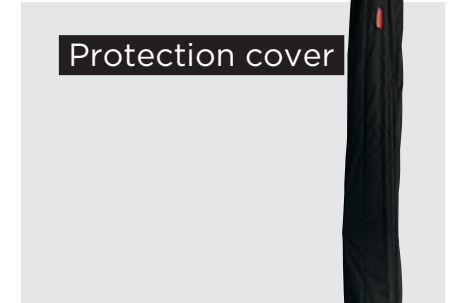


**Adjustable ground anchor**  
Recommended to align multiple sets,  
it gives you up to 15° tolerance to  
the left and right.

## Accessories



LED is integrated in spoke.



Cover in All Weather fabric



Stylish cover for steel base.



Several umbrellas can easily be connected.

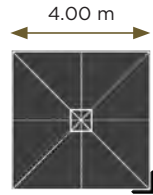




## Specifications

User friendliness in large dimension

SQR



## Finishing

Pole and frame

The pole and frame are **100% Powder coated aluminium** with a **textured finishing**. This makes them even more **scratch-resistant** and **maintenance-friendly**.

The textured coating of the umbrella also offers an **unique look**. Available in **grey** (RAL 9007).



**RAL 9007**  
Grey texture finishing

## Easy operation



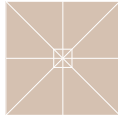
During the design of the P8 the usability was very important. The P8 is very light to handle because of a gliding movement. Even the table and chairs can remain during opening and closing the P8 umbrella.



## Fabric

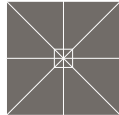
### Durable and protective

UV 95%

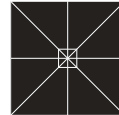


White Sand

UV 100%



Taupe



Black Widow

Other colors available for large projects.



Fade resistant



Water-repellent & Stain proof



Mold resistant



Easy care



Protects from UV



Colour retention

**Dickson Acryl:** 100% solution-dyed

**Weight:** 290 g/m<sup>2</sup>

**Colourfastness:** 7-8/8 (Standard ISO 105 B04)

**Waterproof:** >300 mm water column

**Maintenance:** all fabrics can be washed and replaced

### UV filter – enjoy the sun safely



> The Skin Cancer foundation recommends Dickson Acrylic as a part of your complete sun protection regime, including regular use of sunscreen.



> This label certifies that the fabrics do not contain any toxic substances and do not present any health, skin or environmental hazards (Oeko-Tex 100).

## Maintenance & Repair kit

### Maintenance



### CLEAN

- > powerful stain remover
- > cleans intensely
- > removes stains and odours from the umbrella fabric

### GUARD

- > protects against stains and pollution
- > colourless
- > restores water-repellent effect on the umbrella fabric

### Repair kit



The Repair kit is a unique transparent repair patch for repairing tears and holes in acrylic and polyester fabrics. It is extremely strong and very elastic. The Repair kit is a permanent solution for your umbrella fabric, allowing you to enjoy your umbrella even longer.

- > Extremely strong
- > Watertight
- > Airtight
- > Very elastic
- > Does not fade
- > Does not dry out





# SIDE POLE UMBRELLA

P6 P7







P6—

# Side Pole Umbrella



Multi pole - up to 4 umbrellas  
Patented 'One Move System'  
Manual operation  
Offers up to 38 m<sup>2</sup> of sheer shade pleasure

ONE MOVE SYSTEM > PAGE 19  
COLOURS > PAGE 20-21  
ACCESSORIES > PAGE 22-23-24





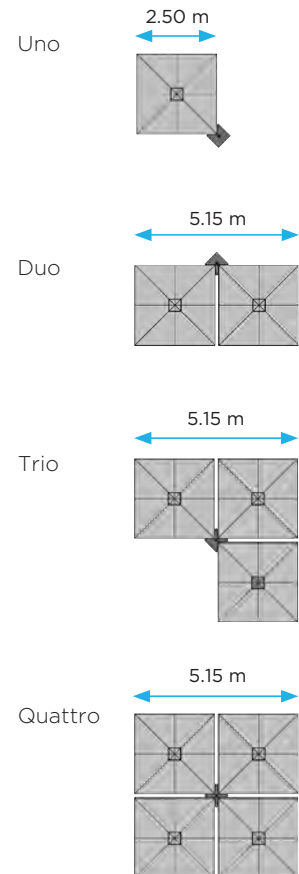




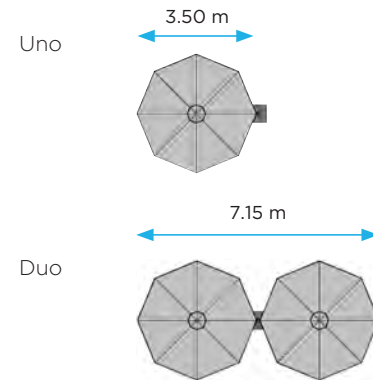
## Specifications

Make your place in the shade according to your needs and desires

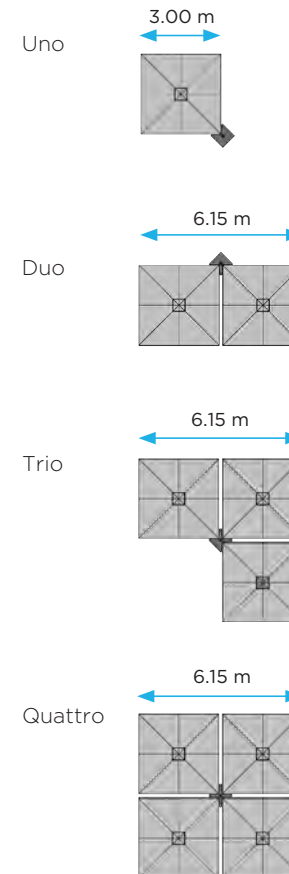
### SQR



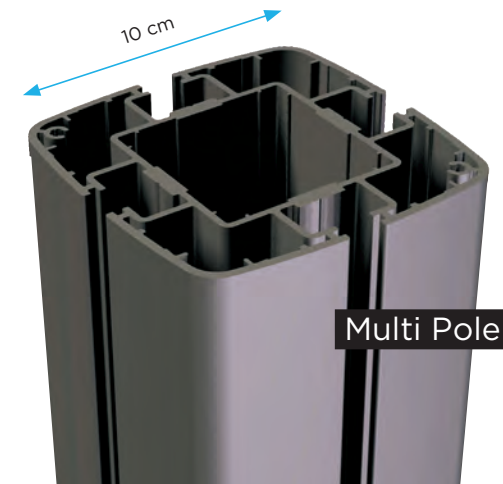
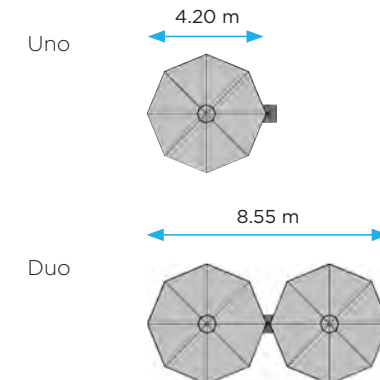
### RND



### SQR XL



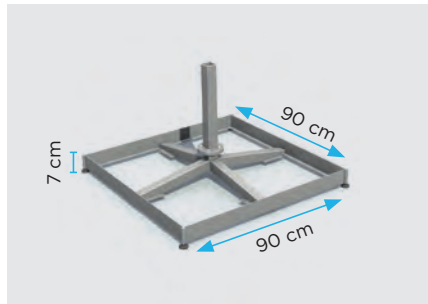
### RND XL



## Fixation

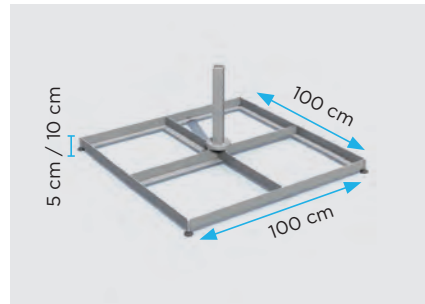
Ground anchor or wall bracket, choose the fixation depending on your garden or patio

### GROUND



#### Steel base

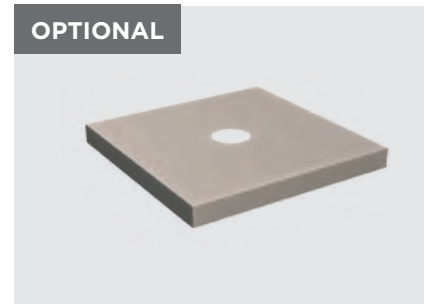
With 8 tiles: 130 kg  
With 12 tiles: 185 kg  
Not suitable for the XL version  
Does not include tiles



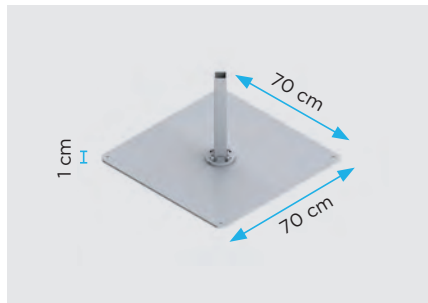
#### Steel base

With 4 tiles: 115 kg  
With 8 tiles: 215 kg  
Does not include tiles

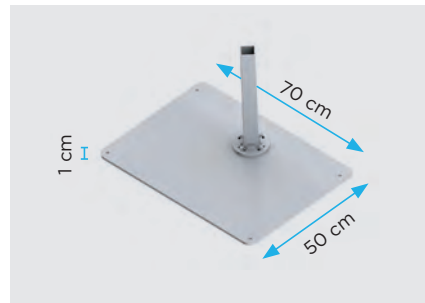
### OPTIONAL



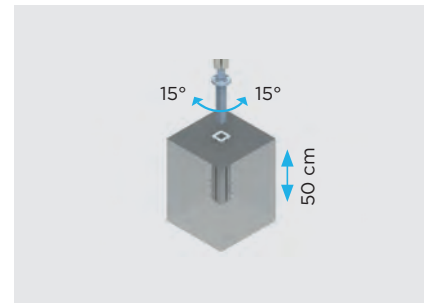
Stylish cover for steel base.



**Floor plate** must be chemical anchored.  
Weight: 38 kg  
Fixing materials not included

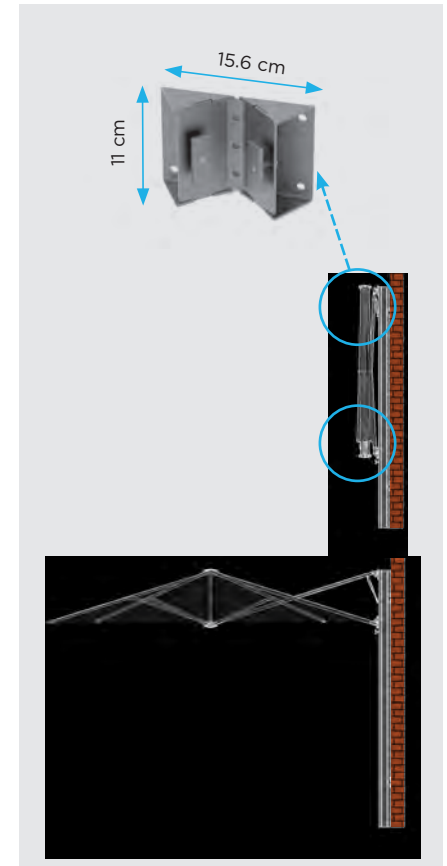


**Floor plate** must be chemical anchored.  
Weight: 30 kg  
Fixing materials not included



**Adjustable ground anchor.**  
Recommended to align multiple sets of P6, it gives you up to 15° tolerance to the left and right.

### WALL

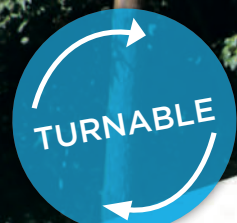


Easy to install wall brackets, delivered per 2 pieces. Only for square P6 Uno or P6 Duo. In non-painted galvanized steel. More info: see p. 18



P7

Side Pole Umbrella



- Single pole
- 1 umbrella
- Patented 'One Move System'
- Manual operation
- Pole rotates 300°

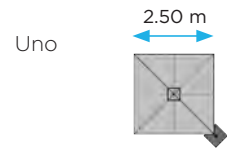
- ONE MOVE SYSTEM > PAGE 19
- COLOURS > PAGE 20-21
- ACCESSORIES > PAGE 22-23-24



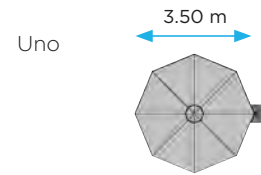
## Specifications

Choose an umbrella which suits best to the size of your garden or patio

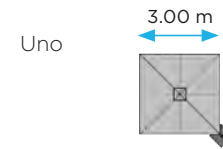
SQR



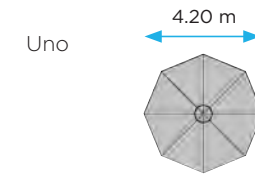
RND



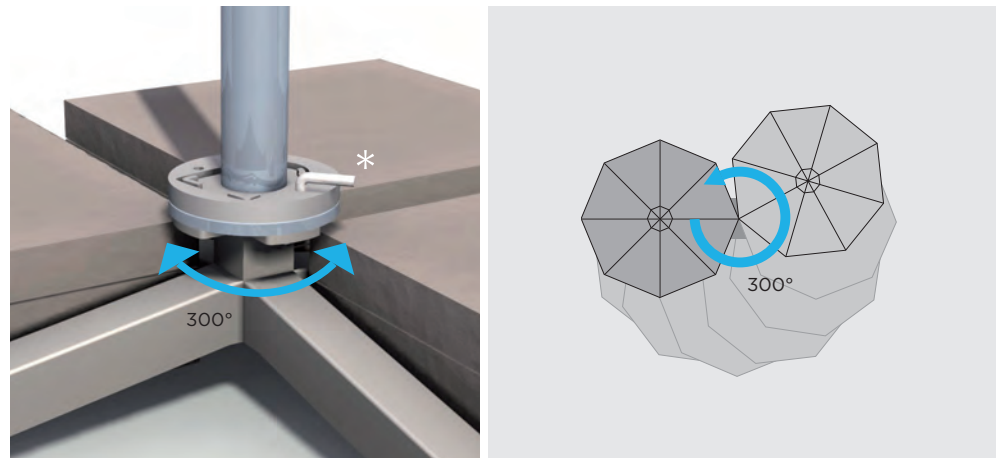
SQR XL



RND XL

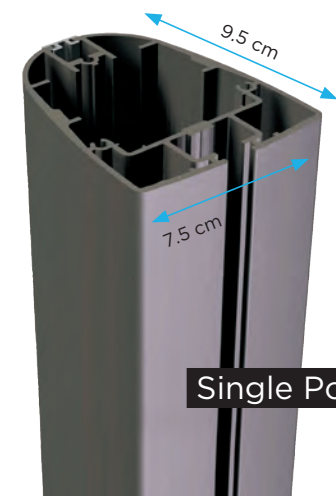


The P7 rotates 300° to provide shade at each time of day



The integrated rotating element allows you to benefit from the shade at each time of day.

\*The small axle locks the umbrella into place and prevents it from spinning with the wind.

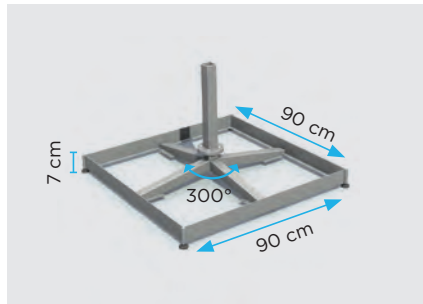




## Fixation

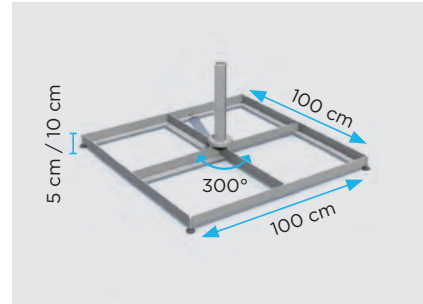
Ground or wall fixation, according to your preference

### GROUND



#### Steel base

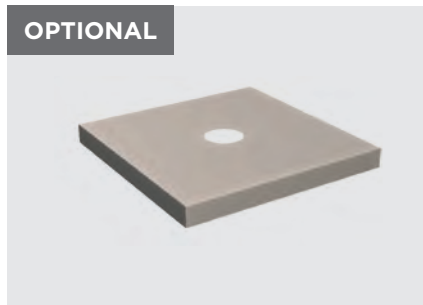
With 8 tiles: 130 kg  
With 12 tiles: 185 kg  
Not suitable for the XL version  
Does not include tiles



#### Steel base

With 4 tiles: 115 kg  
With 8 tiles: 215 kg  
Does not include tiles

### OPTIONAL

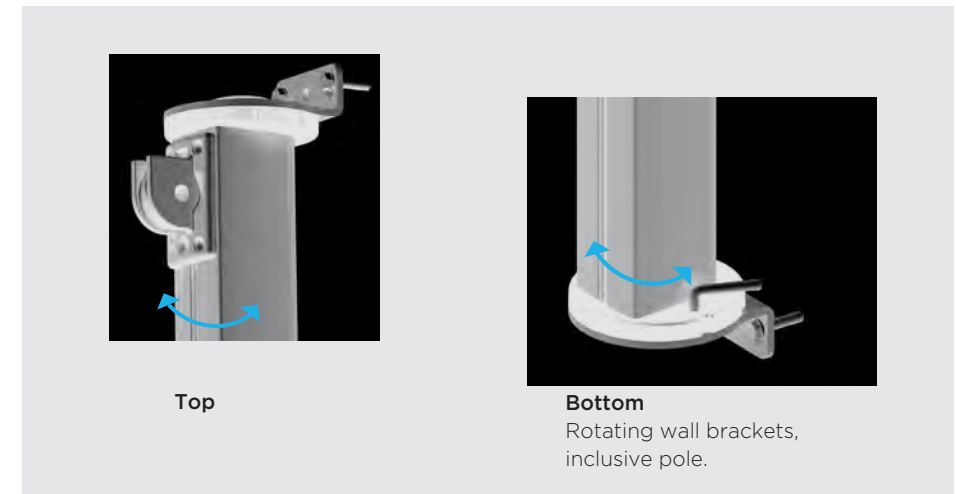
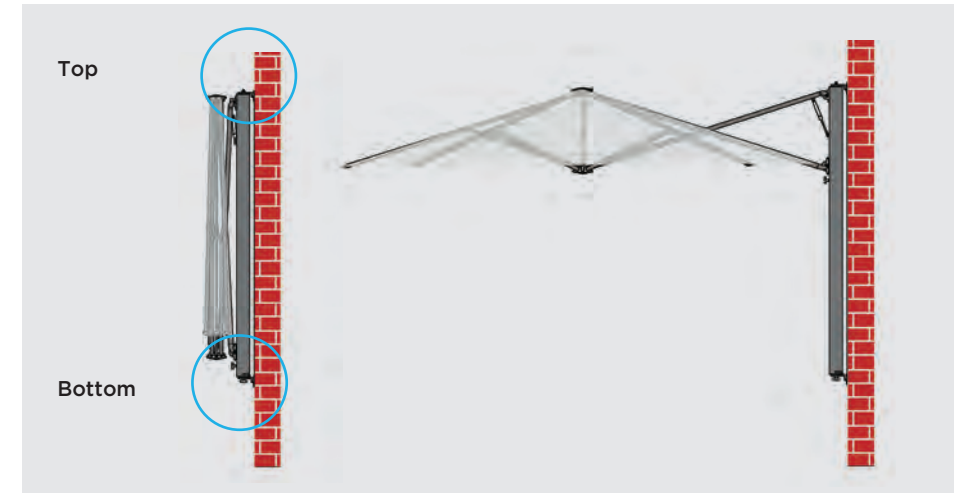


Stylish cover for steel base.



Ground anchor to secure into concrete, made from stainless steel and aluminium.

### WALL

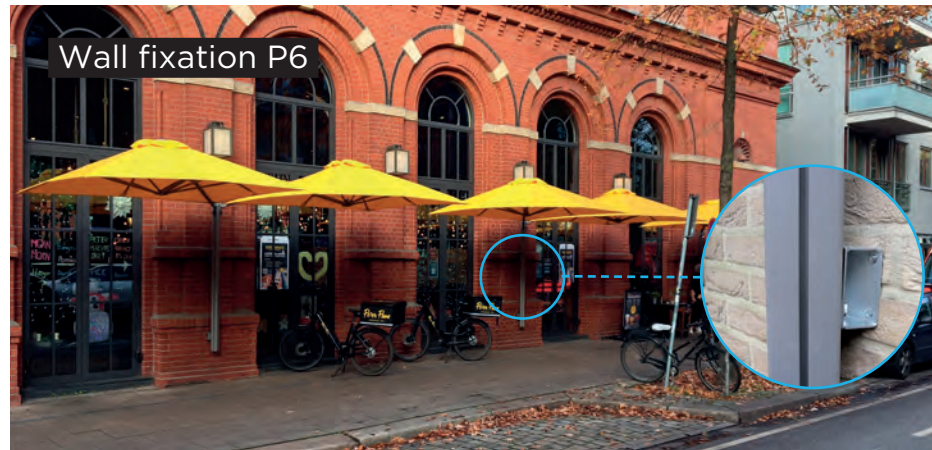


More info: see p. 18





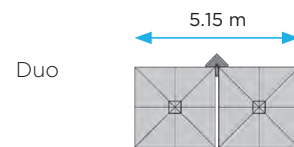
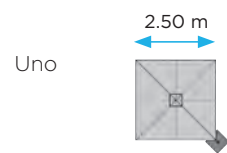
## Wall fixation



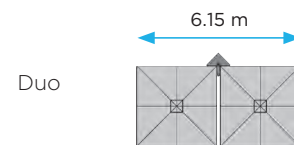
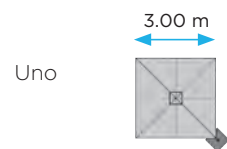
### Fixed wall bracket

The P6 pole can be mounted on the wall easily with 2 brackets. This allows for sun protection without having the pole or steel base sit in the way. Not possible for the Round (RND) version.

### SQR



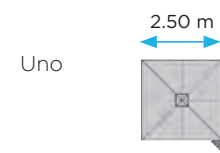
### SQR XL



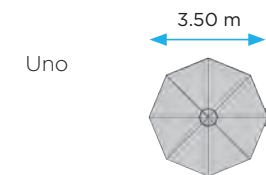
### Rotating wall bracket

The P7 pole can also be fitted to the wall with two "rotating" brackets. By following the sun you can choose where you want shade easily, whatever the time of day. The P7 wall umbrella is designed to turn optimally when mounted on a corner. A small axle locks the umbrella into place and prevents it from spinning with the wind.

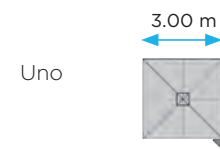
### SQR



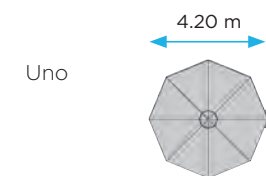
### RND



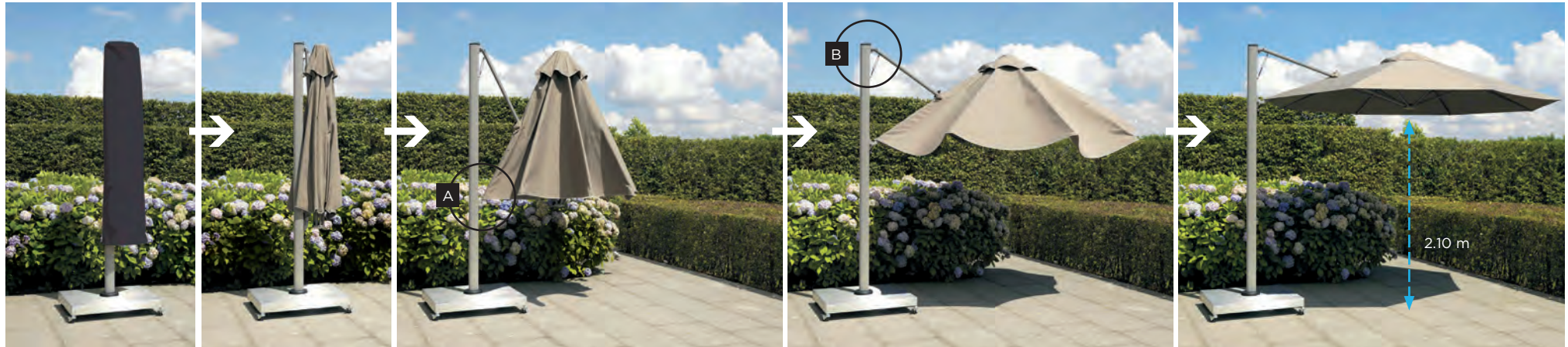
### SQR XL



### RND XL



## Easy operation

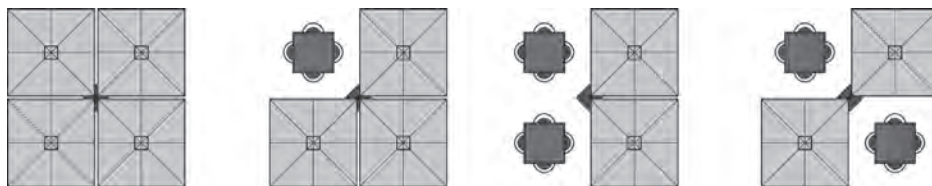


► No matter how strong and robust these umbrellas are, you don't have to be strong to operate them. The patented **One Move System** helps you to open or close the umbrella easily in one single movement. No need to move the table while closing or opening the umbrellas. The umbrella opens or closes above standard tables and chairs.

► The **newly designed gliding wagon** provides more strength and makes the operation much more easier thanks to the ergonomic rotary knob (see A).

► The umbrellas are ultra-light to handle, thanks to the **stainless steel gas spring**, which compensates the weight of the umbrella (see B).

► The P6 umbrella consists of 1, 2, 3 or 4 umbrellas on one pole. Each umbrella can be **operated separately**. You choose where you want shade or sun! This makes the P6 umbrella an ideal hospitality partner. For instance the following configurations are possible:





## Finishing

### Pole and frame

The **100% aluminium** pole and frame contains **5 decorative colours** according to 2 different processes: **Powder coating and Anodizing**.

The **powder-coated profiles** have a **textured finishing**. This makes them even more **scratch-resistant and maintenance-friendly**. The textured coating of the umbrella also offers an **unique look**. Our colour range includes **grey** (RAL 9007), **black** (RAL 9005) or **white** (RAL 9016).

**Anodizing** is the second process to provide aluminium profiles with colour. Typical for anodization is that the **original structure of the aluminium is retained**. The anodizing process ensures a **durable, corrosion-resistant and wear-resistant oxide layer**. Anodization is possible in **silver colour or copper colour**.



**RAL 9007**  
Grey textured coating



**RAL 9005**  
Black textured coating



**RAL 9016**  
White textured coating



**Polished**  
Silver tint anodization



**Copper**  
Copper tint anodization

## Fabric

### A colourful range of choice for shedloads of shade fun

#### UV 95%



Natural White

White Sand

#### UV 100%



Butter Cup

Bitter Orange

Terra Cotta

Paris Red

Lead Grey

Taupe

Carbon Grey

Night Blue

Black Widow

Olive Green



Fade resistant



Water-repellent & Stain proof



Mold resistant



Easy care



Protects from UV



Colour retention

**Dickson Acryl:** 100% solution-dyed

**Weight:** 290 g/m<sup>2</sup>

**Colourfastness:** 7-8/8 (Standard ISO 105 BO4)

**Waterproof:** >300 mm water column

**Maintenance:** all fabrics can be washed and replaced

### UV filter – enjoy the sun safely



> Ozone layer depletion has caused a reduction in the filtering of ultraviolet rays. This, in turn, entails that prolonged, unprotected exposure to the sun poses increased health risks. All P6 and P7 fabrics have the capacity to significantly reduce the penetration of UV rays and offer you and your children the perfect protection from the harmful effects of sunrays (100% of UV rays are filtered out).

The 2 lighter colours (White sand and Natural white) filter 95% of the UV's.

> The Skin Cancer foundation recommends Dickson Acrylic as a part of your complete sun protection regime, including regular use of sunscreen.

> This label certifies that the fabrics do not contain any toxic substances and do not present any health, skin or environmental hazards (Oeko-Tex 100).





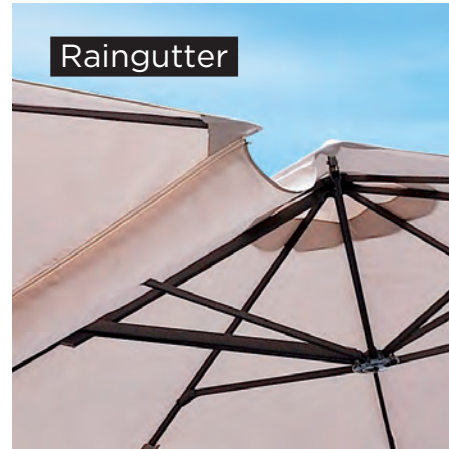
## Accessories

### Protection, ease and maintenance



Deluxe protection cover

The deluxe watertight protection cover protects your umbrella from any and all weather conditions. The cover is made from grey or black solution-dyed polyester fabric.



Raingutter

Connecting several umbrellas is easy by using rain gutters with zippers.



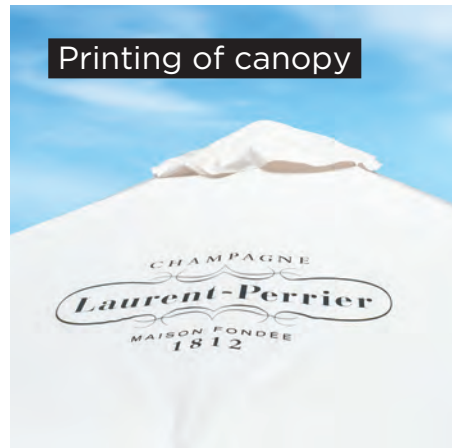
Maintenance

**CLEAN** removes stains and odours from the umbrella fabric **GUARD** protects against stains and pollution and is water-repellent



Repair kit

The Repair kit is a unique transparent repair patch for repairing tears and holes in acrylic and polyester fabrics. It is extremely strong and very elastic. The Repair kit is a permanent solution for your umbrella fabric, allowing you to enjoy your umbrella even longer.



Printing of canopy

The canopy can be printed with text and/ or logo.



Swivel wheels with brake

Move your umbrella effortlessly thanks to caster wheels with brakes. Only for the P6 or P7 UNO umbrellas (max. weight capacity for 4 wheels: 320 kg).



Covid 19 Protection screen

The translucent screen offers protection against Covid-19 and your terrace surface is used in an optimal way.

- > Extremely strong
- > Watertight
- > Airtight
- > Very elastic
- > Does not fade
- > Does not dry out

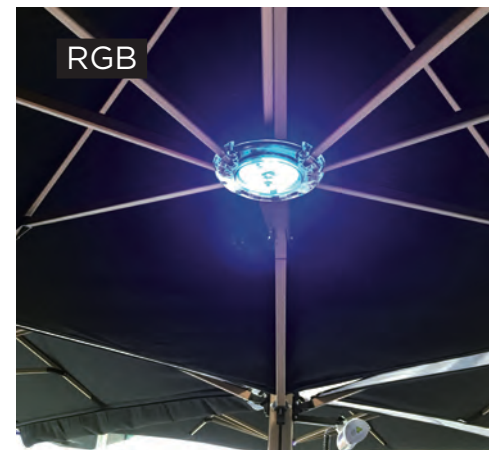
## Accessories

### LED lighting

When the sun goes down and dusk sets in, Power-LED lighting adds a new, intimately cozy dimension to your umbrella, allowing you to stay put and enjoy the day that little bit longer. The LEDs are installed at the center of the umbrella, with all wiring and steering hidden neatly in the frame and pole.



The new 24V LEDs are fully integrated in the umbrella and can, from now on, also be completely dimmed.



Our new RGB LED 24V allows you to create a specific atmosphere on your terrace. With the supplied remote control you can choose the desired color. The RGB LED is also dimmable.



External battery to enjoy the LED lighting without connecting to a 220V network. 8 to 12 hours autonomy, depending on the setup. Not for RGB.





## Accessories

### Heating



IP X5: completely protected against rain and waterspray.  
Up to 4 heaters can be mounted on one pole.



The heater doesn't have to be removed when closing the umbrella. The heating never comes into contact with the fabric.



Single or double sockets can be mounted onto the pole.





# CENTER POLE UMBRELLA

P50



Elegant and modern design

Light and easy to use

Perfect match with the P3 and P4 umbrellas

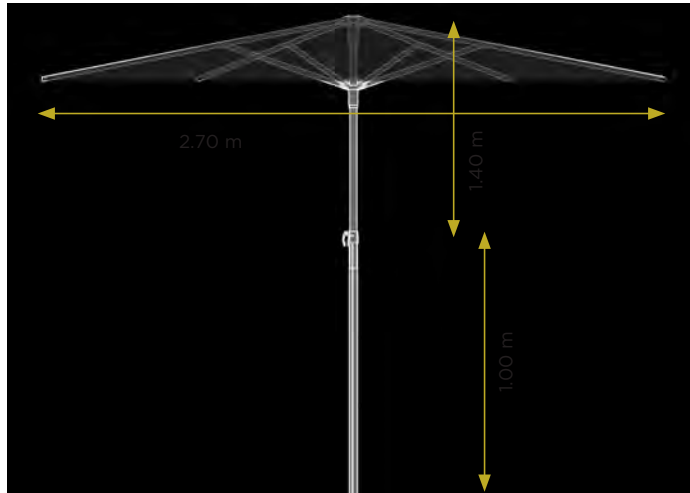
Standard supplied with an extension tube of 1m





## Specifications, fixation and accessories

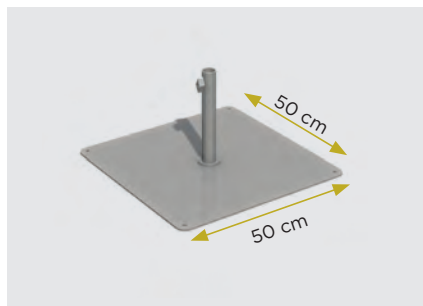
### DIMENSIONS



### COLOURS

See page 30

### FIXATION



#### Floor plate

warm galvanised, 18 kg  
Fixing materials not included



#### Aluminium base

coated aluminium cover to  
fill up with sand: 25 kg.



Protection  
cover

Comes with a polyester  
protection cover for durable  
use of your umbrella as  
standard.



Swivel wheels

Swivel wheels with or without  
brakes, enabling you to move  
your umbrella effortlessly.



P50

# TELESCOPIC ARM UMBRELLA

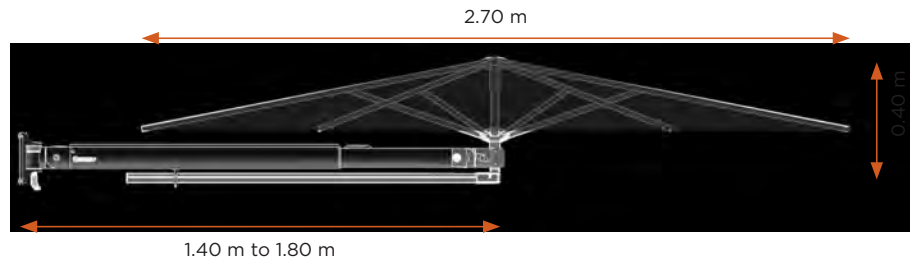
P3 P4

Patented 'Easy Opening System'  
Telescopic arm 1,40 m up to 1,80 m  
Can swing horizontally  
Umbrella can tilt 10°

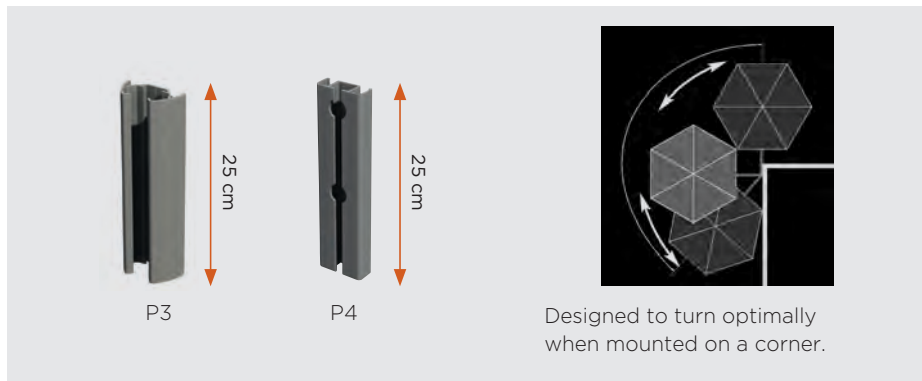


## Specifications and fixation

### DIMENSIONS



### FIXATION / WALL BRACKET



## User-friendly and easy operation

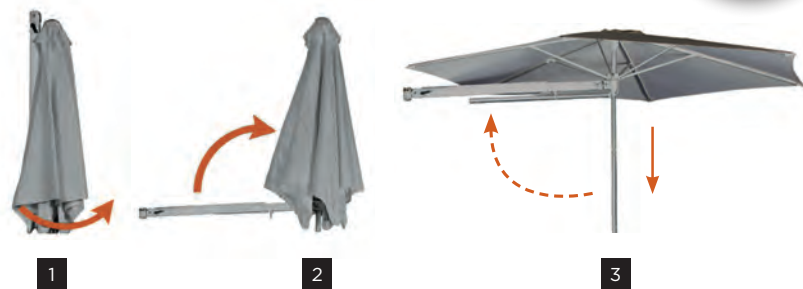
### P3 STRONG AND REMOVABLE!

- Can be easily removed from the wall bracket
- Can be locked in horizontal or vertical position
- Ideal for professional use (hotel, pub, restaurant,...)
- Weight of the arm: 4 kg

**STEP 1** Bring the arm horizontal (90°)

**STEP 2** Unfold the umbrella

**STEP 3** Open the umbrella



### P4 - EXTRA STEP TO IMPROVE YOUR COMFORT!

- User-friendly
- Can be locked in horizontal or vertical position or even at a 45° angle
- Standard with integrated gas spring to compensate the weight
- Weight of the arm: 4.75 kg

**STEP 1** Bring the arm to the 45° position

**STEP 2** Unfold the umbrella

**STEP 3** Bring the arm to the 90° position

**STEP 4** Open the umbrella

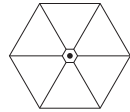




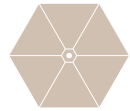
## FABRIC

Add colour to your place in the shade

UV 97%



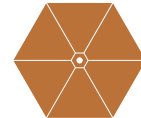
Natural White



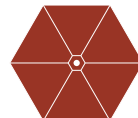
White Sand



Butter Cup



Bitter Orange



Terra Cotta



Traffic Red



Platinum Grey



Carbon Grey



Taupe



Denim Blue



Black Widow



Leaf Green

UV 97%



Fade resistant



Water-repellent & Stain proof



Mold resistant



Easy care



Protects from UV



Colour retention

100% Olefin 'COSLAN': solution-dyed

Weight: 190 g/m<sup>2</sup>

Colourfastness: 7-8/8

Waterproof

UPF 40+: filters more than 97% of the UV rays

Maintenance: all fabrics can be washed and replaced.

Arm and frame have a stylish finishing in anodised aluminium.



100% recyclable



## Accessories

### Protection cover

Protection cover for 1 umbrella, allowing you to enjoy it even longer.



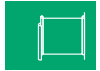
Standard



Windscreen

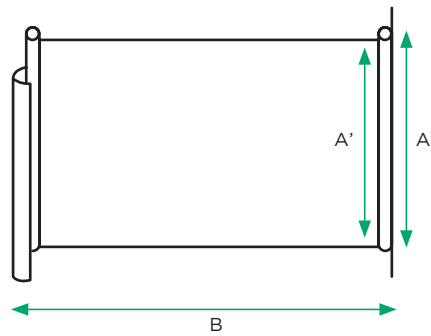
Windblocker

- Enjoy the sun, protected from the wind
- Very easy to install
- Support wheel improves user-friendliness
- Lock prevents unwanted unwinding of the fabric
- Perfect fabric tension thanks to integrated spring



## Specifications and colours

### DIMENSIONS



A:	Box height	Custom-made > Acrylic fabric: 1.27m – 2.00m > Soltis fabric: 1.27m – 1.86m
A':	Fabric height	Fabric height (A) – 7cm
B:	Projection	2m, 3m or 4m

### COLOURS

#### FABRIC

- > **Dickson Acrylic:** solution-dyed  
**Colours:** see p. 15 or request other colours.  
**Weight:** 295 g/m<sup>2</sup>  
**Colourfastness:** 7-8/8 (ISO 105B02 – ISO 105B04)  
**Waterproof:** >350 mm water column  
 All acrylic fabrics have a horizontal seam down the middle to provide extra reinforcement to your windbreak
- > **Soltis 86:** screen fabric  
**Colours:** by request.  
**Weight:** 380 g/m<sup>2</sup>  
 The Soltis fabric has no horizontal seam.

#### PROFILES

**Standard colour:** all profiles are 100% aluminium, in solid white texture coating (RAL 9016). Other RAL colours available at extra cost.







## Fixation and characteristics

### GROUND



**1** The elegant box is easily hooked up with the two supplied hooks. Can be taken off in one movement (theft prevention).



**2** Fixing the fabric  
The floorplate with pole is chemically anchored into the ground...

### WALL

OF



.. or 2 wall brackets hold the fabric.



**3** **Optional**  
**Ground anchor**  
provides extra anchoring.



**4** **Support wheel**  
Improved ease of use for manual operation thanks to guiding support wheel.



**5** **Locking**  
Locking the Windblocker guarantees carefree enjoyment by preventing the fabric from unrolling when the wind is variable.





## Gallery Hospitality & Projects

Get inspired by our realizations







## Gallery Private

Get inspired by our realizations







## Gallery Specials

Get inspired by our realizations



## The Company

—

**Embrace the sun with our smart solutions for your patio**



There is nothing more glorious than enjoying that good old sun on a radiant day. Or looking for shelter and refreshment in the shade when the sun starts shining too brightly. It's the perfect spot for reading a book, blissfully watching your kids playing or enjoying a tasty aperitif or a wonderful meal... takes pride in making that little place in the shade as stylish and functional as possible.

### **There's always a solution to suit your needs**

As an expert in the development and sales of innovative sunshade systems, pergolas and windbreaks, a range of solutions to suit both smaller and larger patios, ensuring optimal usage of available space. available for private customers as well as professional projects, and cover both the middle and top segments. Always guaranteeing the same impeccable quality, naturally!

### **Nice to look at, easy to use**

That excellence is combined with a stylish design and user-friendly functionality. So you can effortlessly enjoy your umbrella, pergola or windshield. The combination of high quality aluminium and superior quality cloth guarantee a sustainable and smart solution for your garden or patio.



cocoon  
concept.

**SHADE SOLUTIONS**

Unit F, 12th Floor, Gee Tung Chang Industrial Bldg, 4 Fung Yip Street, Siu Sai Wan, Hong Kong  
| T : (+852) 2896 0071 | [Info@Cocoon-Concept.com](mailto:Info@Cocoon-Concept.com) | [www.Cocoon-Concept.com](http://www.Cocoon-Concept.com)

